

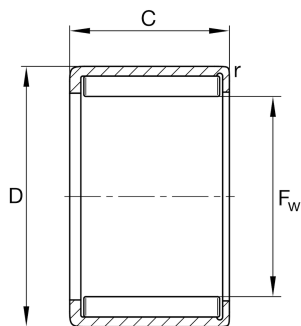
## HN5025

Drawn cup needle roller bearing open end

Schaeffler ID:  
0000371330000

Drawn cup needle roller bearings with open ends HN, full complement needle roller set

### Technical information



#### Main Dimensions & Performance Data

$F_w$	50 mm	Under roller diameter
$D$	58 mm	Outside diameter
$C$	25 mm	Width, outer ring
$C_r$	54,000 N	Basic dynamic load rating, radial
$C_{0r}$	152,000 N	Basic static load rating, radial
$C_{ur}$	22,000 N	Fatigue load limit, radial
$n_{G \text{ Grease}}$	2,260 1/min	Limiting speed for grease lubrication
$n_{gr}$	3,050 1/min	Reference speed
	110 g	Weight

#### Dimensions

$r_{\min}$	0.8 mm	Minimum chamfer dimension
------------	--------	---------------------------

#### Temperature range

$T_{\min}$	-30 °C	Operating temperature min.
$T_{\max}$	140 °C	Operating temperature max.

#### Additional information

	IR45X50X25-XL	Suitable inner rings IR
	LR45X50X25,5	Suitable inner rings LR